

UV540 Series HD Information & Communication Camera

Full HD, Wide View Angle, Multiple Zoom Lens, Multiple Video Interfaces and Multiple protocols

UV540 series camera offers perfect functions, superior performance and rich interfaces. The features include advanced ISP processing algorithms to provide vivid images with a strong sense of depth, high resolution, and fantastic color rendition. It supports H.265/H.264 encoding which makes motion video fluent and clear even under less than ideal bandwidth conditions.



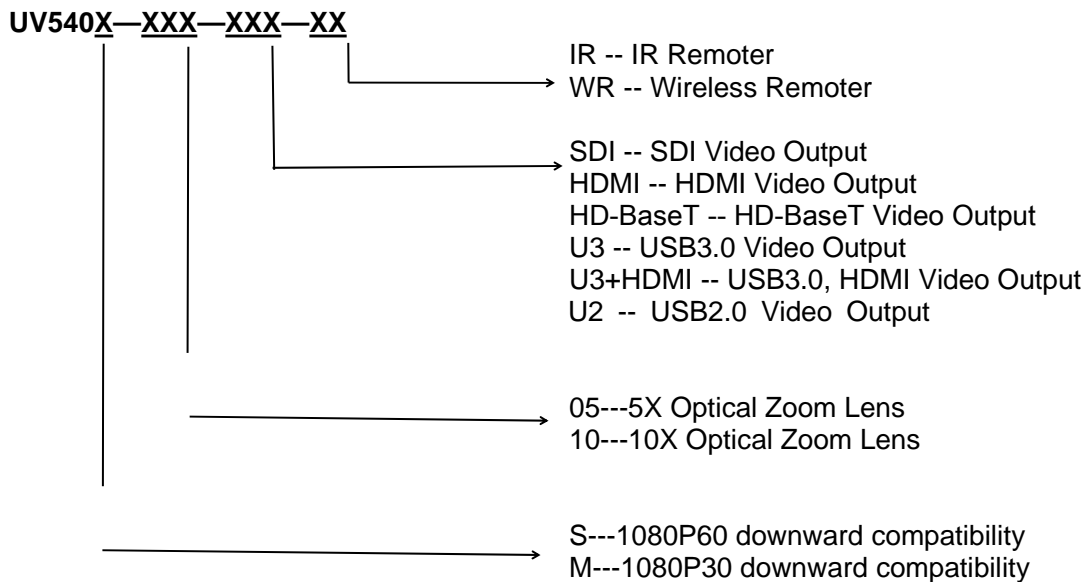
Product Features:

- **Superb High-definition Image**
UV540 employs 1/2.8 inch high quality CMOS sensor. Resolution is up to 1920x1080 with frame rate up to 60fps.
- **Various Optical Zoom Lens**
UV540 has 5X/10X optical zoom lens for options. 5x zoom lens is with 83.7 ° wide view angle without distortion.
- **Leading Auto Focus Technology**
Leading auto focus algorithm makes lens a fast, accurate and stable auto-focusing.
- **Low Noise and High SNR**
Low Noise CMOS effectively ensure high SNR of camera video. Advanced 2D/3D noise reduction technology is also used to further reduce the noise, while ensuring image sharpness.
- **Multiple video output interfaces:** Support HDMI, SDI, HDBaseT, USB and LAN.
- **Multiple Video compression:** Support H.265/H.264 video compression
- **Audio Input Interface**
Support 16000, 32000, 44100, 48000 sampling frequency and AAC, MP3, G.711A audio coding.
- **Multiple Network Protocol**
Support ONVIF, RTSP, RTMP protocols and support RTMP push mode, easy to link streaming media server

(Wowza,FMS)

- **Multiple Control Interface:** RS232, RS485; RS232 support daisy chain, convenient for installation on projects.
- **Multiple Control Protocols:** Support VISCA, Pelco-D, Pelco-P and support auto-recognize protocol.
- **Low-power sleep function:** Support low-power sleep/wake up,the consumption is lower than 400mW under sleep mode
- **Wide-range, Quiet and Quick Pan/Tilt Mechanism**
By adopting step driving motor mechanism,UV540 camera works extremely quiet and moves smoothly.
- **Multiple Remoter Control**
User can choose to use IR remoter or wireless remoter according to the working environment. The 2.4G wireless remoter will not be affected by angle, distance or infrared interfere. Support remoter signal pass through function, which is convenient for back-end use.
- **Preset**
Support up to 255 presets (10 presets by remoter)
Tele-education,lecture capture,Webcasting, Videoconferencing,Tele-training,Tele-medicine, Interrogation and Emergency command systems.

Order No.

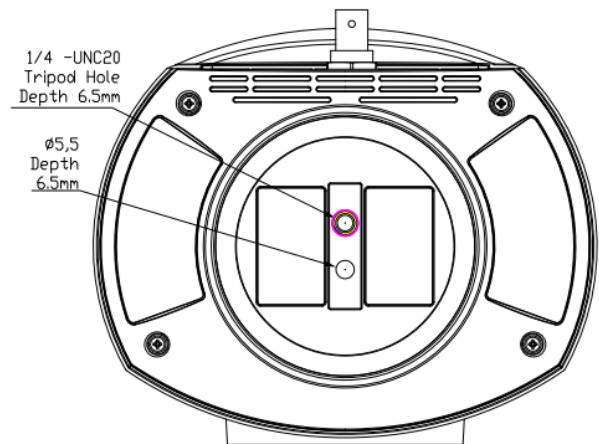
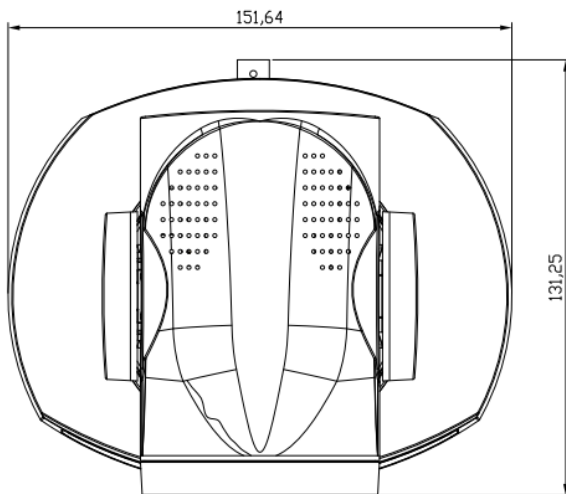
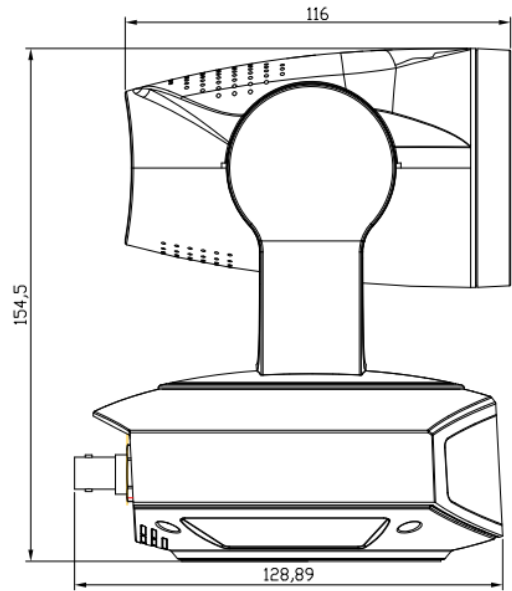
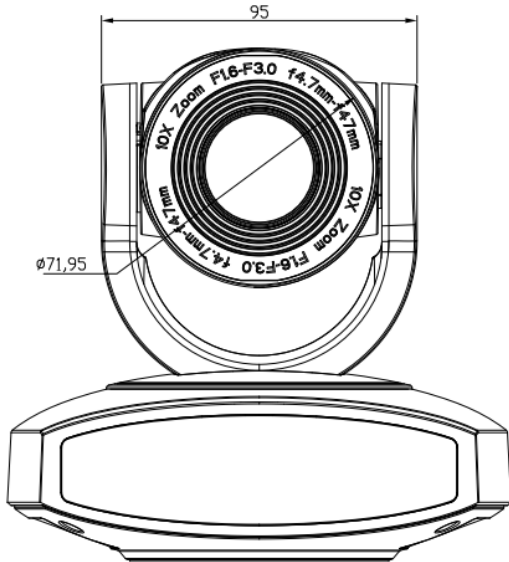


Technical Specification

Model Number	UV540-05	UV540-10
Camera Parameter		
Image Sensor	1/2.8 Inch High Quality CMOS Sensor	
Effective Pixels	2.07MP, 16:9	
Video Format	SDI/HDMI/HDBaseT Video Output Format 1080P60/50/30/25/59.94/29.97, 1080I60/50/59.97, 720P60/50/30/25/59.94/29.97 USB3.0 Video Output Format 1) USB3.0: 1920X1080P60/50/30/25; 1280X720P60/50/30/25; 960X540P30; 640X360P30; 640X480P30; 352X288P30; 960X540P30; 800X600P30 2) USB3.0(USB2.0 Supported); 960X540P30; 640X360P30; 1280X720P10/15; 720X576P50; 720X480P60; 640X480P30; 352X288P30; 800X600P30 USB2.0 Video Output Format: 176x144/320x240/320x180/352x288/640x480/720x480/720x576/640x360/800X600/960X540/1024X576/1024X768/1280X720/1920X1080 P30/25/20/15/10/5	

Optical Lens	5X Optical Lens f=3.1~15.5mm	10X Optical Lens f=4.7~47mm
View Angle	20° (Tele) 83.7°(Wide)	6.43° (Tele) 60.9° (Wide)
Iris	F1.8 - F2.8	F1.6 – F3.0
Digital Zoom	X5	
Low Illumination	0.5Lux(F1.8, AGC ON)	
DNR	2D & 3DDNR	
White Balance	Auto / Manual/ One Push//3000K/3500K/4000K/4500K/5000K/5500K/6000K/6500K/7000K	
Focus	Auto / Manual/ One Push/	
Electronic Shutter	Auto / Manual/	
BLC	On/Off	
WDR	OFF/ Dynamic Level Adjustment	
Video Adjustment	Brightness, Color, Saturation, Contrast, Sharpness, B/W mode, Gamma curve	
SNR	>55dB	
Interface and Protocol		
Model No/Interface	UV540-05/10-SDI Interface: SDI, LAN, RS232(Input), A-IN UV540-05/10-HDMI Interface: HDMI, LAN, RS232(Input), A-IN UV540-05/10-HD-BaseT Interface: HDBaseT, LAN, RS232(Input), A-IN UV540-05/10-U3 Interface: USB3.0, LAN, RS232(Input) UV540-05/10-U3+HDMI Interface: USB3.0, HDMI, LAN, RS232(Input) UV540-05/10-U2 Interface: USB2.0, LAN, RS232(Input)	
Video Output	SDI, HDMI, USB3.0, USB2.0, LAN	
Video Stream	Dual Stream	
Image Multi Code Source Output	Supported (SDI/HDMI/USB3.0/USB2.0, LAN can be with different Code Source/TV System)	
Video Compression	H.265, H.264	
Audio Compression Format	A-in: Double track 3.5mm linear input;	
Audio Output	SDI, HDMI, LAN, HDBaseT, Same Output as Audio.	
Audio Compression Format	AAC, MP3, G.711A	
LAN	100M LAN Port (10/100BASE-TX)	
Network Protocol	RTSP, RTMP, ONVIF, GB/T28181; Support VISCA Control Protocol, Support Remote Update and Reset	
Control Port	RS232(Circuit), RS485	
Control Protocol	Protocol: VISCA/Pelco-D/Pelco-P; Baud Rate: 115200/9600/4800/2400bps	
Power Supply	HEC3800 Outlet (DC12V)	
Power Adapter	Input AC110V-AC220V, output DC12V/1.5A	
Power Input	DC12V±10%、1A(Max)	
Power Consumption	12W(Max)	
PTZ Parameter		
Pan/Tilt Rotation	-170°~+170°, -30°~+90°	
Pan/Tilt Controller Speed	0.1~60°/Second, 0.1~30°/Second	
Preset Speed	Pan:60°/Second, Tilt: 30°/Second	
Preset Numbers	255 Points Preset (10 points By Remote Controller)	
Other Parameter		
Storage Temperature	-10℃~+60℃, 20%~95%	
Working Temperature	-10℃~+50℃, 20%~80%	
Dimension	151.2mmX152.5mmX126.7mm	
Weight	1.4kg	
Usage	Indoor Only	
Package	12V/1.5A Power supply, Remote Controller, Manual, Warranty Card	
Accessories Optional	Mount (Extra Cost)	

Dimension (unit: mm)



IL PARTNER PER TUTTI
I PROBLEMI DELLA
COMUNICAZIONE

VLV S.r.l.
Tecnologie e Comunicazioni
Via Giuseppe Mazzini, 29
20032 CORMANO (Mi) Italy

tel. +39 (0)2 66301410
fax +39 (0)2 70059888
VideoIP 93.33.246.73

www.vlv.it

vlv@vlv.it